

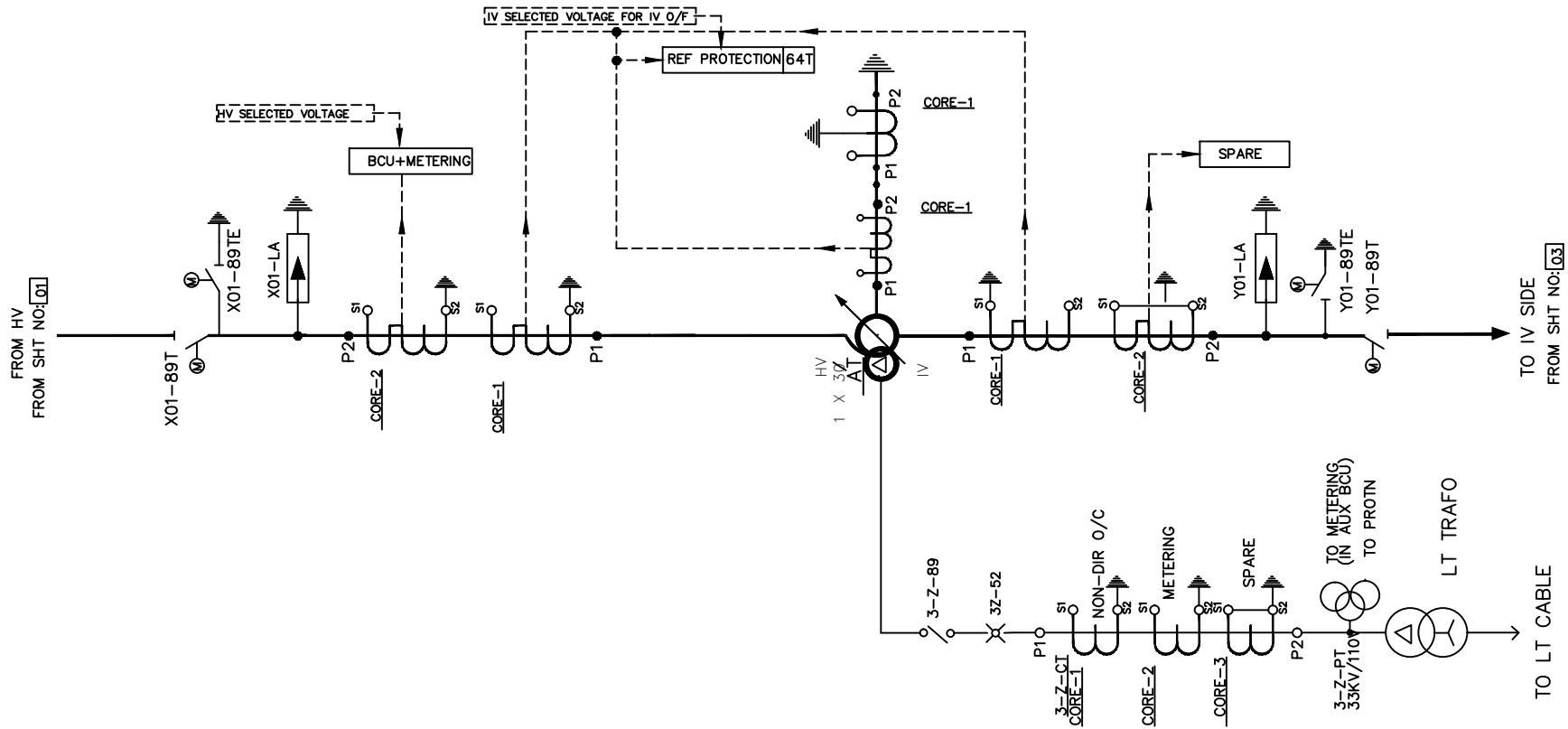


CT & VT CONNECTION DIAGRAM – ICT-3 PHASE – ONE AND HALF & DMT

Date: 03/01/2024

Doc Rev No: 00

Page: 02 Sheet of 03



FROM HV
FROM SHT NO: 01

X01-89T

X01-89TE

X01-LA

S1

S2

S1

S2

P1

P2

P1

P2

P1

P2

P1

P2

P1

P2

P1

P2

P1

P2

P1

P2

P1

P2

P1

P2

P1

P2

P1

P2

P1

P2

IV SELECTED VOLTAGE FOR IV O/F

REF PROTECTION 64T

HV SELECTED VOLTAGE

BCU+METERING

HV

1 X 3%

IV

3-Z-89

3Z-52

P10

3-Z-CI

CORE-1

S1

NON-DIR O/C

S2

S1

METERING

S2

S1

CORE-2

S2

S1

CORE-3

S2

S1

SPARE

S2

P20

TO METERING
(IN AUX BCU)

TO PROT N

33KV/110

LT TRAFU

TO LT CABLE

TO IV SIDE
FROM SHT NO: 03

SPARE

CORE-1

CORE-1

CORE-1

CORE-1

CORE-1

CORE-1

CORE-1

CORE-1

CORE-1

CORE-1

CORE-1

CORE-1

CORE-1

CORE-1

CORE-1

CORE-1

CORE-1

CORE-1

CORE-1

CORE-1

CORE-1

CORE-1

CORE-1

CORE-1

CORE-1

CORE-1

CORE-1

CORE-1

CORE-1

CORE-1

CORE-1

CORE-1

CORE-1

CORE-1

CORE-1

CORE-1

CORE-1

CORE-1

CORE-1

CORE-1

CORE-1

CORE-1

CORE-1

CORE-1

CORE-1

CORE-1

CORE-1

CORE-1

CORE-1

CORE-1

CORE-1

CORE-1

CORE-1

CORE-1

CORE-1

CORE-1

CORE-1

CORE-1

CORE-1

CORE-1

CORE-1

CORE-1

CORE-1

CORE-1

CORE-1

CORE-1

CORE-1

CORE-1

CORE-1

CORE-1

CORE-1

CORE-1

CORE-1

CORE-1

CORE-1

CORE-1

CORE-1

CORE-1

CORE-1

CORE-1

CORE-1

CORE-1

CORE-1

CORE-1

CORE-1

CORE-1

CORE-1

CORE-1

CORE-1

CORE-1

CORE-1

CORE-1

CORE-1

CORE-1

CORE-1

CORE-1

CORE-1

CORE-1

CORE-1

CORE-1

CORE-1

CORE-1

CORE-1

CORE-1

CORE-1

CORE-1

CORE-1

CORE-1

CORE-1

CORE-1

CORE-1

CORE-1

CORE-1

CORE-1

CORE-1

CORE-1

CORE-1

CORE-1

CORE-1

CORE-1

CORE-1

CORE-1

CORE-1

CORE-1

CORE-1

CORE-1

CORE-1

CORE-1

CORE-1

CORE-1

CORE-1

CORE-1

CORE-1

CORE-1

CORE-1

CORE-1

CORE-1

CORE-1

CORE-1

CORE-1

CORE-1

CORE-1

CORE-1

CORE-1

CORE-1

CORE-1

CORE-1

CORE-1

CORE-1

CORE-1

CORE-1

CORE-1

CORE-1

CORE-1

CORE-1

CORE-1

CORE-1

CORE-1

CORE-1

CORE-1

CORE-1

CORE-1

CORE-1

CORE-1

CORE-1

CORE-1

CORE-1

CORE-1

CORE-1

CORE-1

CORE-1

CORE-1

CORE-1

CORE-1

CORE-1

CORE-1

CORE-1

CORE-1

CORE-1

CORE-1

CORE-1

CORE-1

CORE-1

CORE-1

CORE-1

CORE-1

CORE-1

CORE-1

CORE-1

CORE-1

CORE-1

CORE-1

CORE-1

CORE-1

CORE-1

CORE-1

CORE-1

CORE-1

CORE-1

CORE-1

CORE-1

CORE-1

CORE-1

CORE-1

CORE-1

CORE-1

CORE-1

CORE-1

CORE-1

CORE-1

CORE-1

CORE-1

CORE-1

CORE-1

CORE-1

CORE-1

CORE-1

CORE-1

CORE-1

CORE-1

CORE-1

CORE-1

CORE-1

CORE-1

CORE-1

CORE-1

CORE-1

CORE-1

CORE-1

CORE-1

CORE-1

CORE-1

CORE-1

CORE-1

CORE-1

CORE-1

CORE-1

CORE-1

CORE-1